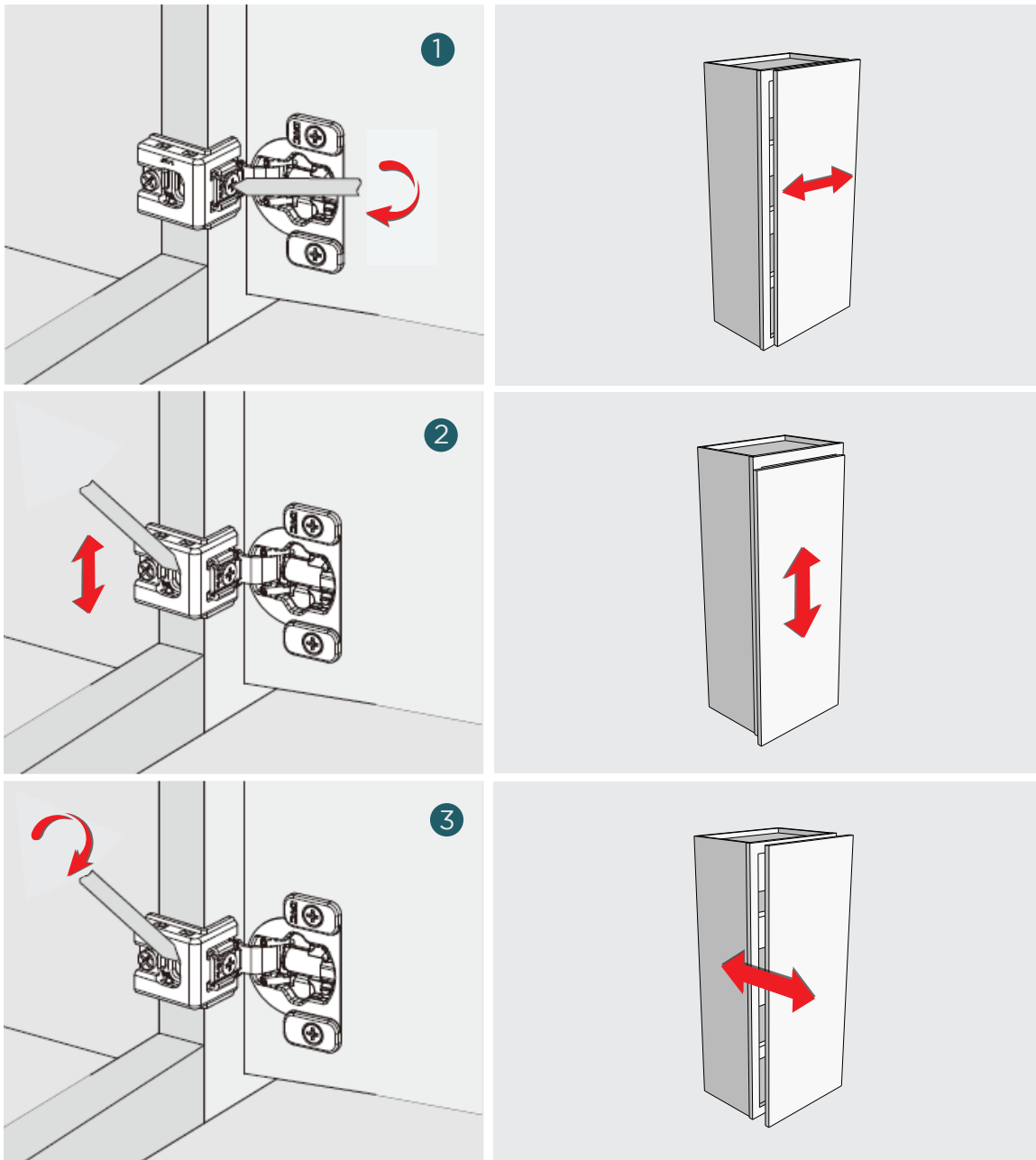


## ASSEMBLY AND ADJUSTMENT

for hinges and slides

### Door Adjustment for Overlay Hinges (E8 Series)

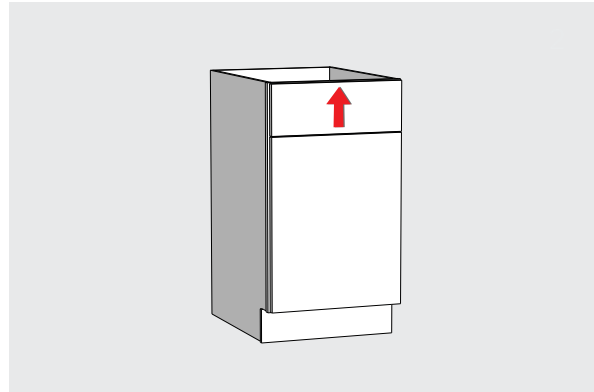
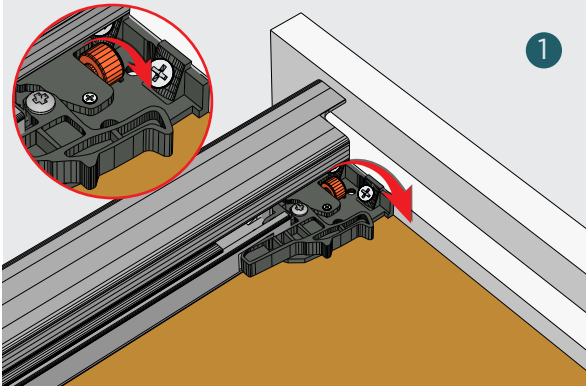


**Designed Stronger™**

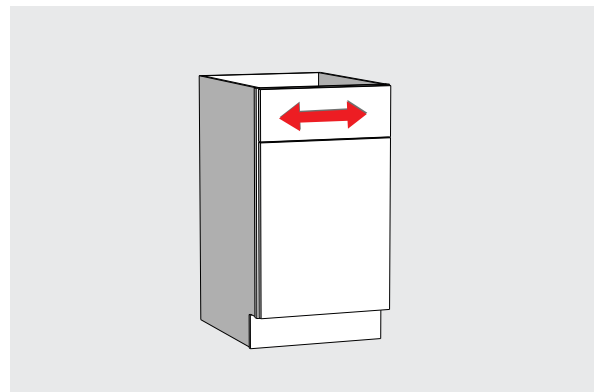
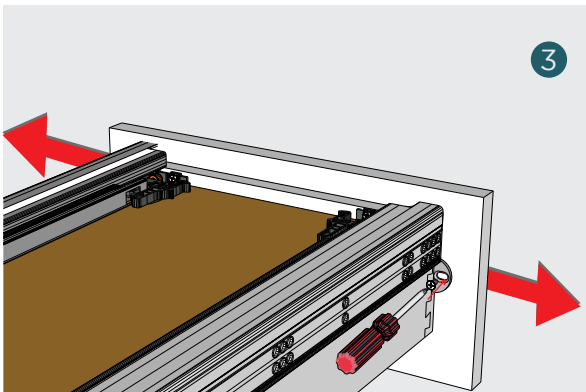
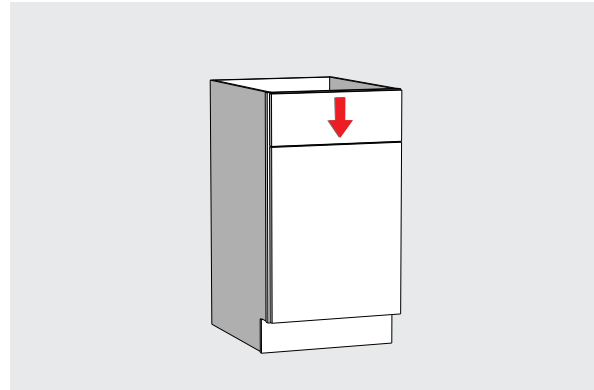
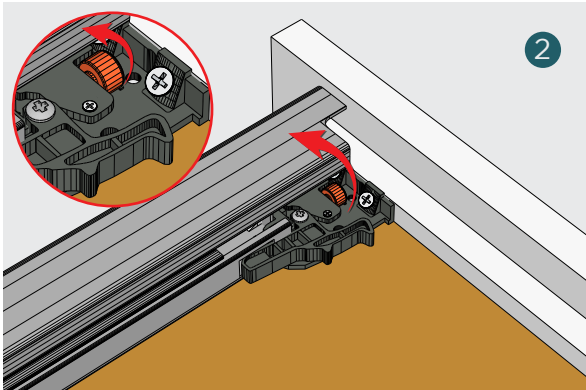
## ASSEMBLY AND ADJUSTMENT

for hinges and slides

### LOCKING DEVICE ADJUSTMENT



Fix the locking device onto the drawer bottom and fix the rear bracket onto the cabinet back.



**Designed Stronger™**