

Cabinet Care And Cleaning



WF Cabinetry meets or exceeds Kitchen Cabinet Manufacturer Association (KCMA) standards for resistance to stains and surface damage that can be caused by common household chemicals. The finish protects the wood and enhances its natural beauty. Please follow these simple special care and maintenance guidelines which will allow you to enjoy your cabinets for many years to come.

Cabinet Interiors

- Wipe with a clean, soft, damp cloth and dry immediately. Never use kitchen cloths or sponges that might have detergent or grease on them, or embedded abrasives.
- To remove food residue or grease, use any common dish washing liquid (not detergent) or solution of mild soap and water. Wipe with a clean damp cloth. Dry thoroughly. If a spill occurs, clean and dry immediately. Left unattended, a spill can soak through the laminate or wood surface and cause damage.

Cabinet Exteriors, Stained and Painted

Your cabinets have been finished with a coating that exhibits excellent resistance to foods, beverages and household agents typically found in the kitchen or bath. However, from time to time, your cabinets will need regular cleaning and care.

- Clean at least once a month to protect the wood by wiping the surface with a clean, damp cloth, then dry immediately. Do not use a dishcloth for cleaning. It could contain remnants of grease or detergents. **Never use soap pads, steel wool, or cleaners that contain bleach, ammonia or abrasives.** These agents may cause discoloration, marring or dulling of the finish. Do not wax or polish cabinet surfaces. Wax build-up will leave a residue that is difficult to remove. Polishes containing silicone should not be used. Products such as Murphy's Oil Soap contain no wax, petroleum or silicones.
- Excess moisture can damage any cabinet finish. Areas near the sink, range, dishwasher, oven and baseboards are most susceptible. With all cabinets, take a little extra care on bottom edges of base cabinets and base cabinet doors where invisible moisture often collects. Keep these surfaces dry.
- Avoid draping damp cloths or dish towels over the cabinet doors. Over a period of time, this moisture could cause permanent damage to your cabinet finish.

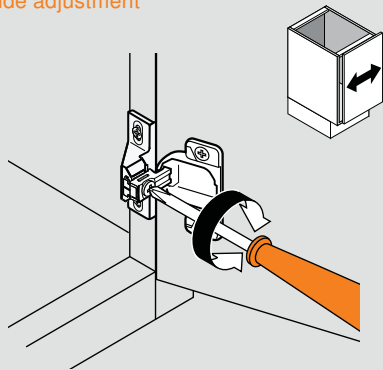
Repair Small Scratches, Nicks, and Dents: Most scratches can be touched-up by using a special touch-up kit (TUK) which includes a soft fill stick, and a touch up marker, to match the cabinet's finish. The touch up kit is available through WF Cabinetry dealers. If scratches or nicks still show after using a touch-up marker, a soft fill stick can be applied. Simply rub the soft fill stick over the scratched area and wipe away excess with a clean soft cloth. **Never use sandpaper or any other type of abrasive paper or material to even out a scratch, as it will damage the cabinet finish.** More substantial repairs may require professional attention.

Cabinet Environment

- Routine cleaning will help prevent long term damage from smoke and grease. They should be avoided because they can form a hard film over time, dulling the finish.
- When possible, keep cabinets out of direct sunlight or close curtains during the sunniest part of the day. Direct sunlight will cause cabinets to lighten or darken over time.
- Try to avoid exposing your cabinets to very hot and cold environments. Extremes in temperature and moisture can cause wood to expand and contract, eventually damaging the finish.

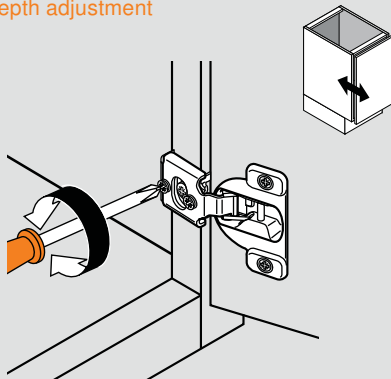
Three-way independent adjustment

Side adjustment



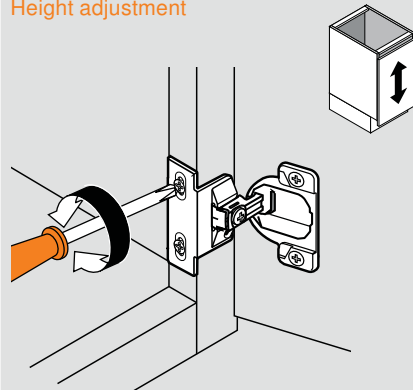
Side adjustment is possible on all COMPACT hinges except 38. series. COMPACT 38N, 38C and 39C have cam side adjustment.

Depth adjustment



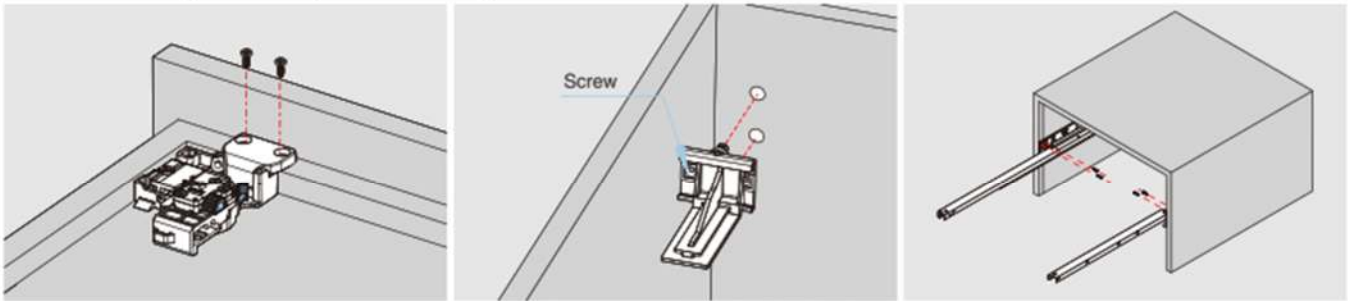
COMPACT 38N, 38C and 39C have cam depth adjustment.

Height adjustment



All COMPACT hinges are independently height adjustable.

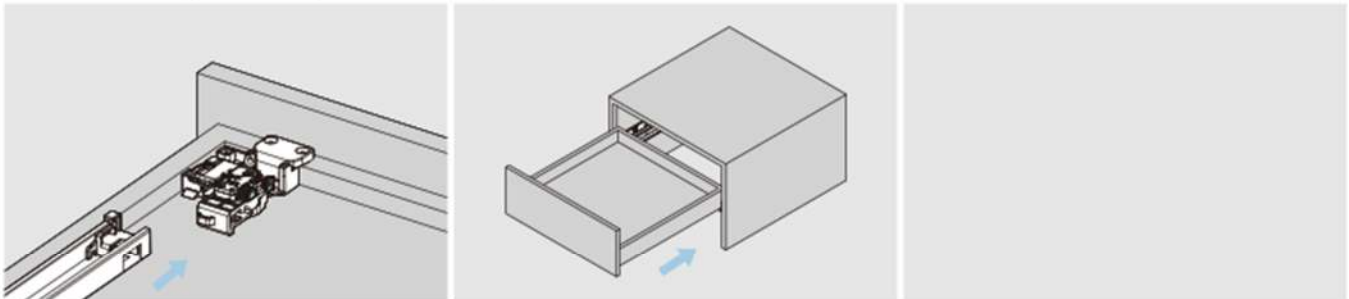
Drawer Assembly with 2D Adjustment Locking Device



Fix the locking device onto the drawer bottom and fix the rear bracket onto the cabinet back.

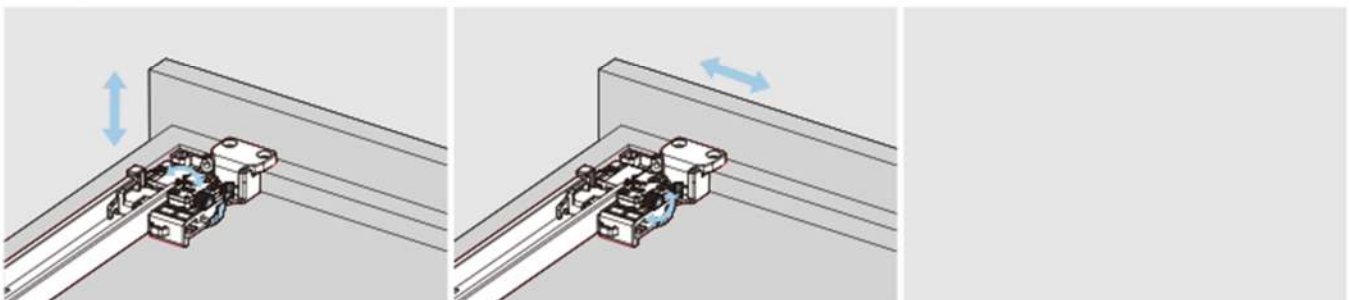
Fix the slide onto the cabinet.

Drawer Assembly with 2D Adjustment Locking Device



Lay the drawer bottom onto the slide then push the drawer into the cabinet.

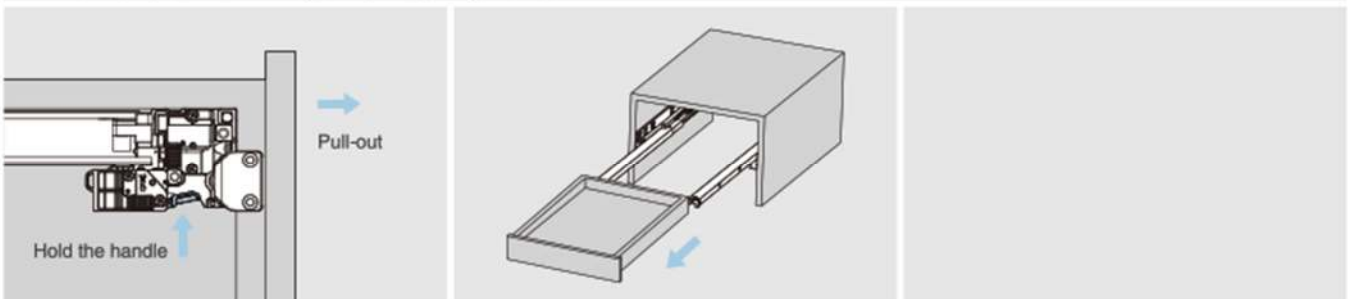
2D Adjustment



Height adjustment

Side adjustment

Drawer Removal with 2D Adjustment Locking Device



For removal, hold the handle and pull out the drawer.